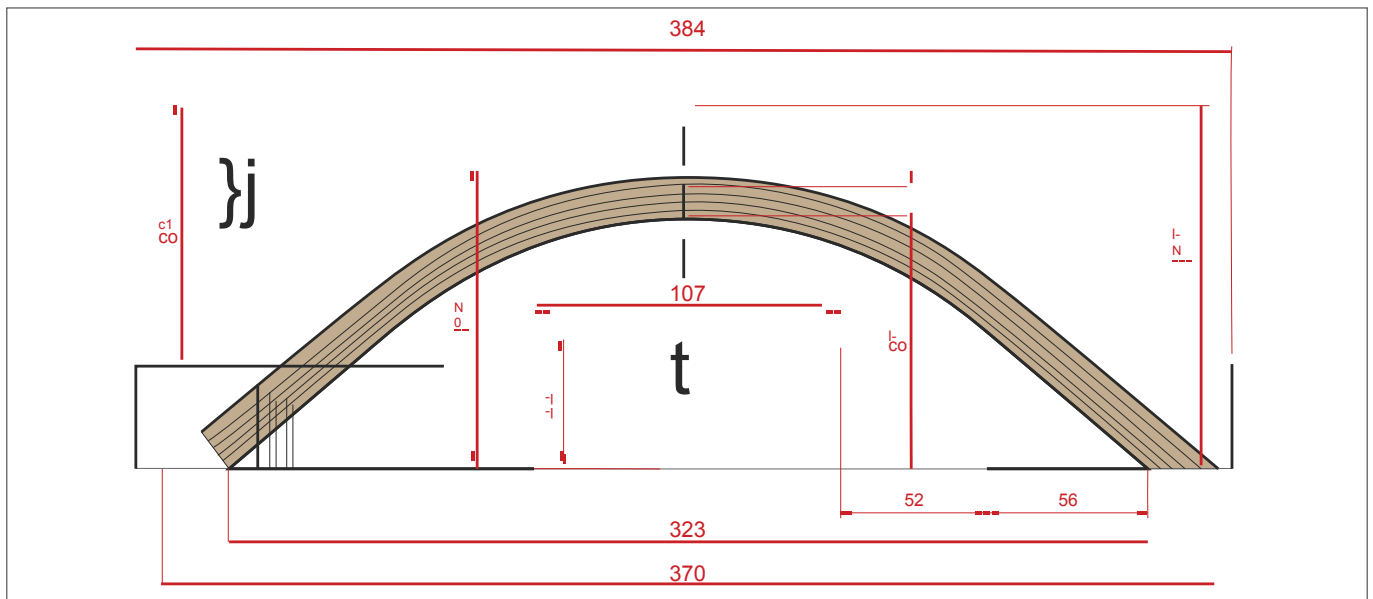


Laminating

- Laminations are 5 x 3mm thick x 15 mm wide - cut too long and trim after.
- Make laminations from whitewood - cut on band saw - glue using PVA or sim.
- The 2 formers should be 15mm high.
- Fix smaller former to base board.
- Arrows are clamping points - use sash cramps.
- The dimensions and proportions in the diagram below are suggestions only - if used, you can print and use it as a template.



If time allows
- make into
bridge as per
picture.